

Cable terminations

Pre-insulated terminals

Hooked Blade

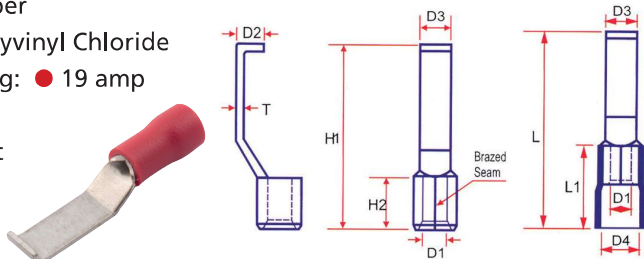
Material: Copper

Insulation: Polyvinyl Chloride

Max. elec. rating: ● 19 amp

600 volts 75°C

RoHS compliant



To keep up to date with **new products** and **special offers** go online at www.swaonline.co.uk

Wire Range mm ² (AWG)	Part No.	Dimensions in mm								
		D1	D2	D3	D4	L	L1	H1	H2	T
●	30RHB	1.7	2.1	3.0	4.3	26.5	10.0	22.0	5.5	0.8
0.5-1.5 (22-16)	46RHB	1.7	2.1	4.6	4.3	26.0	10.0	22.0	5.5	0.8

Pack Quantity: 100

Vibration resistant version available on request
(subject to M.O.Q.)

Female Push-on

Material: Brass - Tin Plated

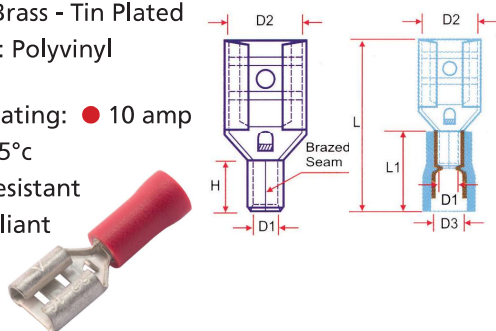
Insulation: Polyvinyl Chloride

Max. elec. rating: ● 10 amp

300 volts 75°C

Vibration resistant

RoHS compliant



Male Push-on

Material: Brass - Tin Plated

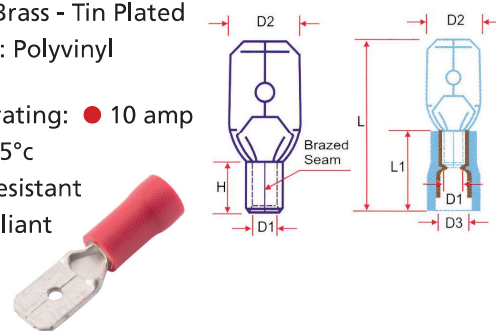
Insulation: Polyvinyl Chloride

Max. elec. rating: ● 10 amp

300 volts 75°C

Vibration resistant

RoHS compliant



Wire Range mm ² (AWG)	Part No.	Dimensions in mm							Tab size
		D1	D2	D3	H	L	L1		
●	28RFP	1.8	3.2	4.3	5.5	19.0	10.0	2.8 x 0.5	
●	28RFPX	1.8	3.5	4.3	5.5	19.0	10.0	2.8 x 0.8	
0.5-1.5 (22-16)	48RFP	1.8	5.5	4.3	5.5	19.0	10.0	4.8 x 0.5	
●	48RFPX	1.8	5.5	4.3	5.5	19.0	10.0	4.8 x 0.8	
●	63RFP	1.8	6.6	4.3	5.5	20.5	10.0	6.3 x 0.8	

Pack Quantity: 100

Wire Range mm ² (AWG)	Part No.	Dimensions in mm							Tab size
		D1	D2	D3	H	L	L1		
●	28RMP	1.8	2.8	4.3	5.5	19.6	10.0	2.8 x 0.5	
0.5-1.5 (22-16)	48RMP	1.8	4.8	4.3	5.5	18.6	10.0	4.8 x 0.5	
●	63RMP	1.8	6.3	4.3	5.5	21.0	10.0	6.3 x 0.8	

Pack Quantity: 100

Un-insulated Female Push-on Terminals available on request
(subject to M.O.Q.)



Un-insulated Male Push-on Terminals available on request
(subject to M.O.Q.)



Cable terminations

Pre-insulated terminals

Hooked Blade

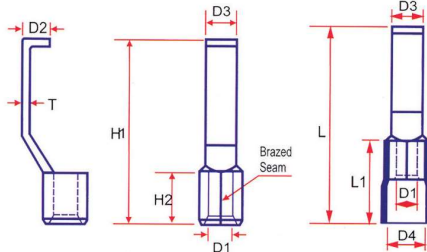
Material: Copper

Insulation: Polyvinyl Chloride

Max. elec. rating: ● 27 amp

600 volts 75°C

RoHS compliant



To keep up to date with **new products** and **special offers** go online at www.swaonline.co.uk

Wire Range mm ² (AWG)	Part No.	Dimensions in mm								
		D1	D2	D3	D4	L	L1	H1	H2	T
●	30BHB	2.3	2.1	3.0	4.8	26.5	10.0	22.0	5.5	0.8
1.5-2.5 (16-14)	46BHB	2.3	2.1	4.6	4.8	26.5	10.0	22.0	5.5	0.8

Pack Quantity: 100

Vibration resistant versions available on request
(subject to M.O.Q).

Female Push-on

Material: Brass - Tin Plated

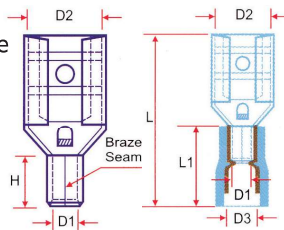
Insulation: Polyvinyl Chloride

Max. elec. rating: ● 15 amp

300 volts 75°C

Vibration resistant

RoHS compliant



Wire Range mm ² (AWG)	Part No.	Dimensions in mm							
		D1	D2	D3	H	L	L1	Tab size	
●	28BFP	2.3	4.8	4.8	5.5	13.8	10.0	2.8 X 0.5	
1.5-2.5 (16-14)	28BFPX	2.3	4.8	4.8	5.5	14.3	10.0	2.8 X 0.8	
	48BFP	2.3	5.5	4.8	5.5	19.0	10.0	4.8 X 0.5	
	48BFPX	2.3	5.5	4.8	5.5	19.0	10.0	4.8 X 0.8	
	63BFP	2.3	6.6	4.8	5.5	20.5	10.0	6.3 X 0.8	

Pack Quantity: 100

Male Push-on

Material: Brass - Tin Plated

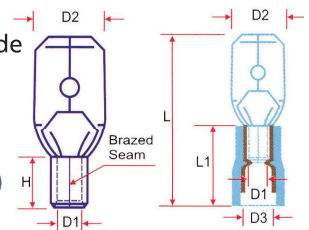
Insulation: Polyvinyl Chloride

Max. elec. rating: ● 15 amp

300 volts 75°C

Vibration resistant

RoHS compliant



Wire Range mm ² (AWG)	Part No.	Dimensions in mm							
		D1	D2	D3	H	L	L1	Tab size	
●	48BMP	2.3	4.8	4.8	5.5	13.8	10.0	4.8 X 0.5	
1.5-2.5 (16-14)	63BMP	2.3	6.3	4.8	5.5	16.2	10.0	6.3 X 0.8	

Pack Quantity: 100

**Un-insulated Female Push-on
Terminals available on request**
(subject to M.O.Q).



**Un-insulated Male Push-on
Terminals available on request**
(subject to M.O.Q).



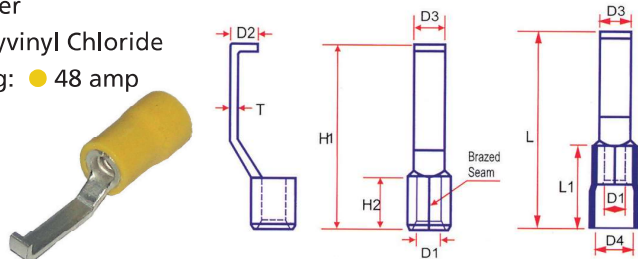
FOR FURTHER INFORMATION GO ONLINE AT www.swaonline.co.uk

Cable terminations

Pre-insulated terminals

Hooked Blade

Material: Copper
Insulation: Polyvinyl Chloride
 Max. elec. rating: ● 48 amp
 600 volts 75°C
 RoHS compliant



To keep up to date with **new products** and **special offers** go online at www.swaonline.co.uk

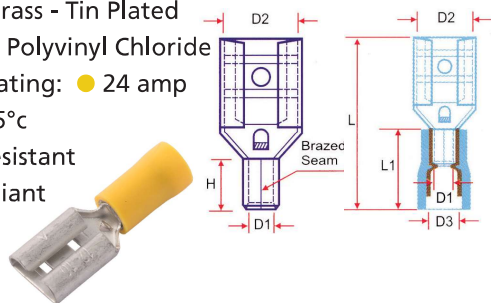
Wire Range mm ² (AWG)	Part No.	Dimensions in mm								
		D1	D2	D3	D4	L	L1	H1	H2	T
●	30YHB	3.4	2.4	3.0	6.5	30.0	13.5	23.0	6.5	0.8
4-6 (12-10)	46YHB	3.4	2.4	4.6	6.5	30.0	13.5	23.0	6.5	0.8

Pack Quantity: 100

Vibration resistant versions available on request (subject to M.O.Q).

Female Push-on

Material: Brass - Tin Plated
Insulation: Polyvinyl Chloride
 Max. elec. rating: ● 24 amp
 300 volts 75°C
 Vibration resistant
 RoHS compliant

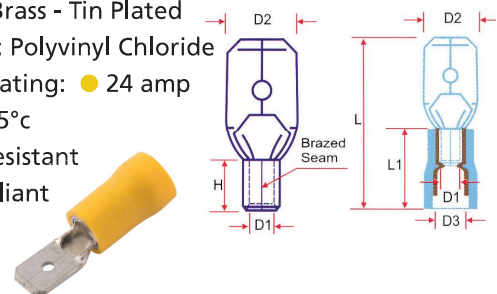


Wire Range mm ² (AWG)	Part No.	Dimensions in mm							Tab size
		D1	D2	D3	H	L	L1		
●	63YFP	3.5	6.6	6.6	6.5	24.6	13.5	6.3 X 0.8	
4-6 (12-10)	95YFP	3.5	10.0	6.6	6.5	24.6	13.7	9.5 X 1.2	

Pack Quantity: 100

Male Push-on

Material: Brass - Tin Plated
Insulation: Polyvinyl Chloride
 Max. elec. rating: ● 24 amp
 300 volts 75°C
 Vibration resistant
 RoHS compliant



Wire Range mm ² (AWG)	Part No.	Dimensions in mm							Tab size
		D1	D2	D3	H	L	L1		
●	63YMP	3.5	6.3	6.6	6.5	25.0	13.4	6.3 X 0.8	
4-6 (12-10)									

Pack Quantity: 100

Un-insulated Female Push-on Terminals available on request (subject to M.O.Q).



Un-insulated Male Push-on Terminals available on request (subject to M.O.Q).

